

50+ Products



Vision World Tech Pvt. Ltd.
Vision For Futuristic Technology



ELECTROMAGNETIC FLOW METER

VIFLOW-MAG-013

MAKE - VISION WORLDTECH



PRODUCT DESCRIPTION

The Electromagnetic Flow Meter by Vision World Tech Pvt. Ltd. is a high-precision instrument designed for accurate and reliable measurement of conductive liquids across a wide range of industrial and municipal applications. Engineered with advanced sensing technology, it ensures stable performance even under demanding operating conditions.

Built with a robust and corrosion-resistant body, this flow meter delivers long-term durability and minimal maintenance. Its non-intrusive measurement principle eliminates pressure loss, making it ideal for continuous flow monitoring in water supply, wastewater management, irrigation systems, and industrial process control.

FEATURES

- Available Sizes: DN15 to DN 2000
- Technology: Electromagnetic
- Accuracy: $\pm 0.2\%$
- Body of Material: SS316L
- Communication Type: RS485/4-20mA



VIFLOW-MAG-013



VIFLOW-UFM-013

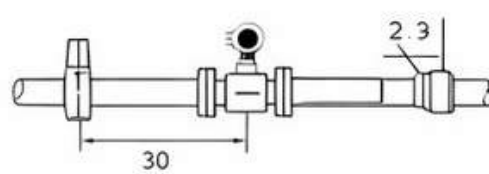
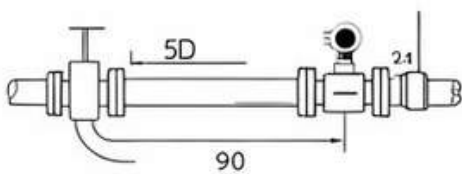
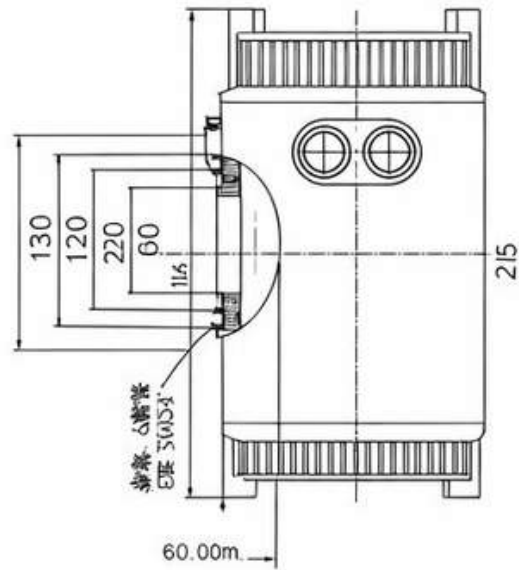
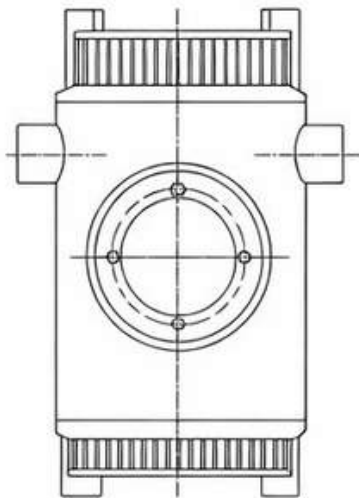
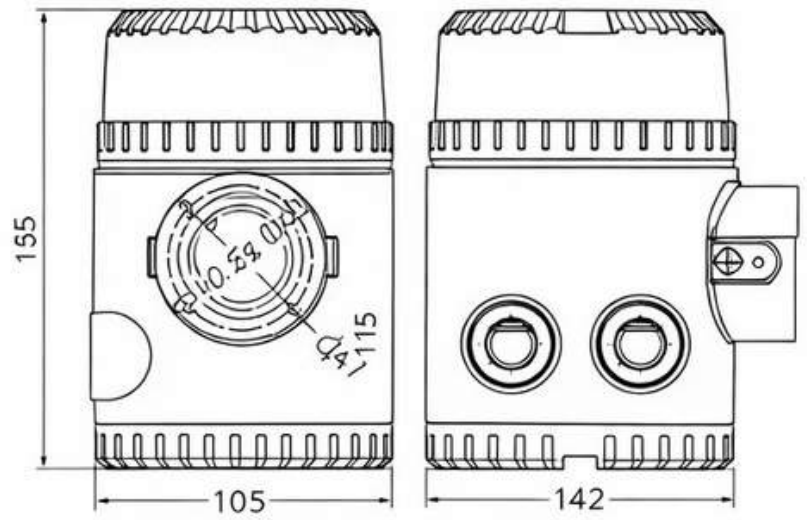
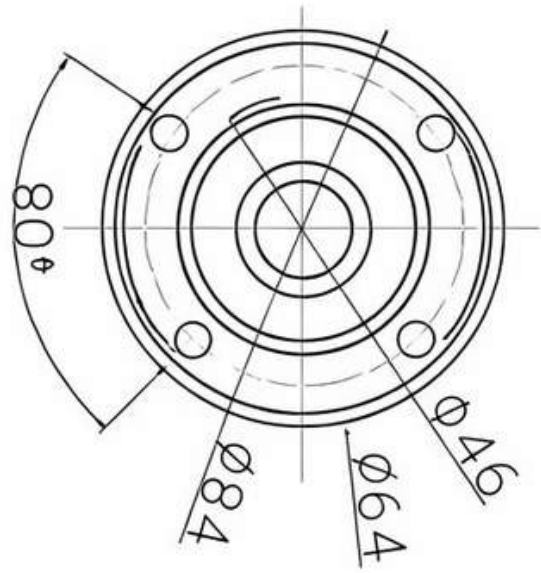
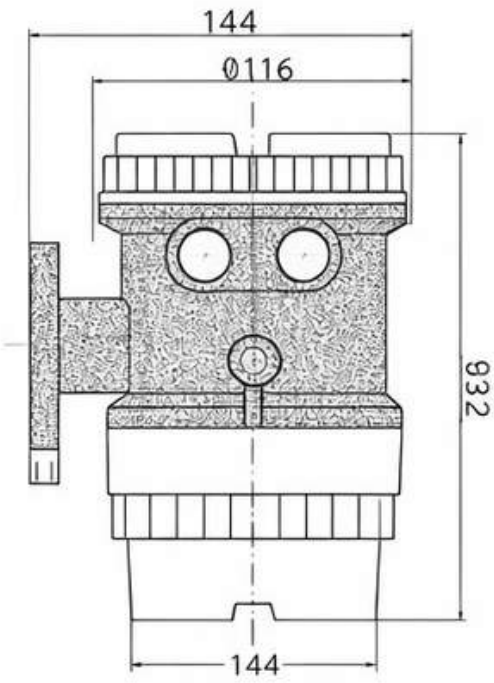


VIFLOW-RMAG-013

TECHNICAL SPECIFICATION

Make	VISION WORLDTECH
Environmental Temp	20 'C ~ 60 'C°
Diameter	Flange Type DN10 – DN500
Electrode Type	SS 316L
Lining Material	Polytetrafluoroethylene(PTFE), Polyurethane Rubber (PU), Natural Rubber (NR)
Measured Pipe	Stainless Steel
Power Supply	100V AC – 240V AC , 12V DC – 24V
Output Signal	Pulse Output , RS485 & 4-20mA
IP Protection	IP65, IP68
Country of Origin	India
Frequency	50 Hz
Accuracy	+/-0.2%
Display	Digital
Housing	MS/SS
Rated Pressure	Customizable > 20Bar (20Bar by default)



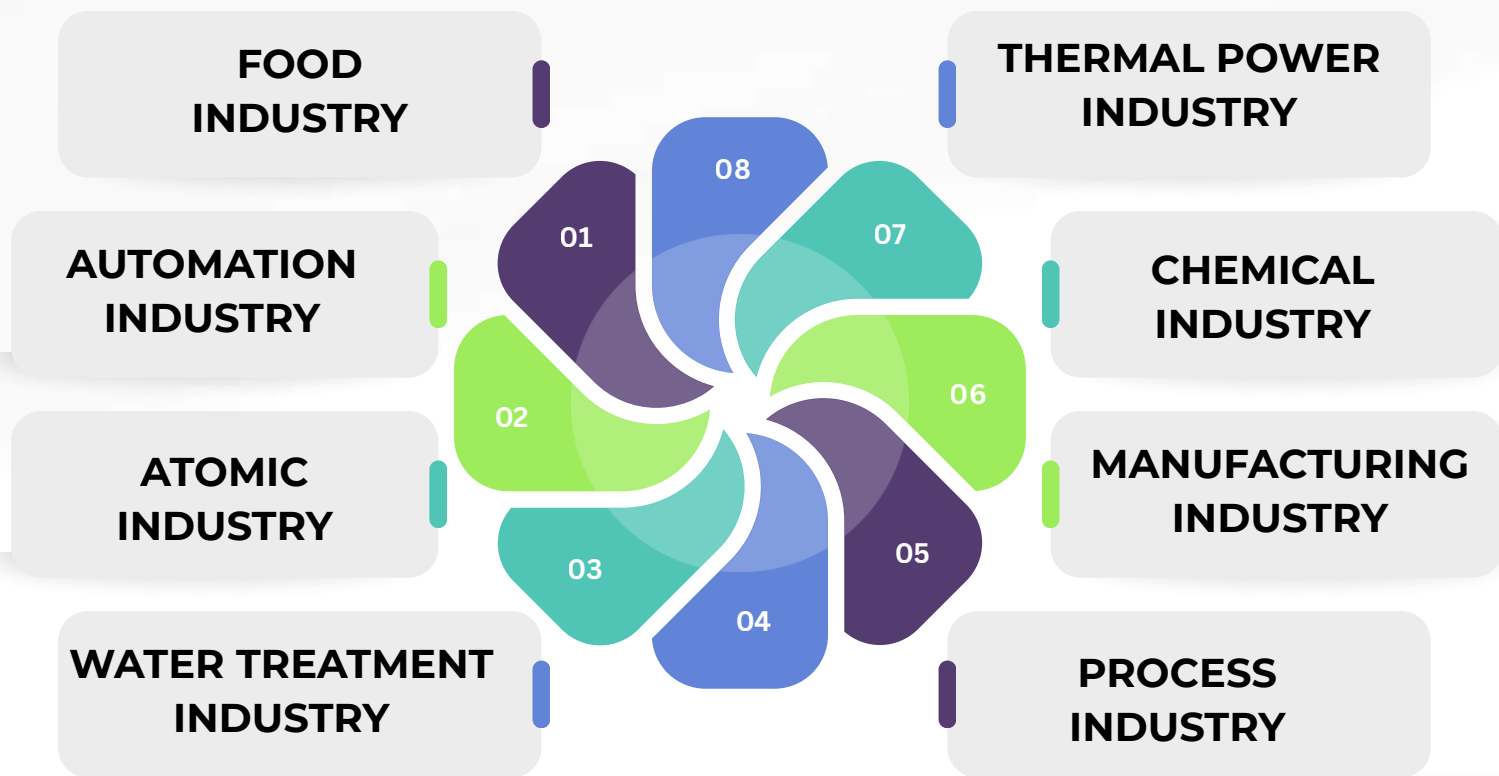


FLOW-TO-VELOCITY TABLE

The flow and the flow rate corresponding table

Size DN in mm	M3/hr.		LPM		USGPM	
	Min.	Max.	Min.	Max.	Min.	Max
10	0.06	2.00	1.0	33.33	0.26	8.80
15	0.20	6.40	3.33	106.66	0.88	28.17
20	0.34	11.3	5.66	188.33	1.49	49.75
25	0.53	17.7	8.83	295.00	2.33	77.93
40	1.40	45.2	23.33	753.33	6.16	199.01
50	2.00	70.7	33.33	1178.33	8.80	311.28
65	3.58	119	59.66	1983.33	15.76	523.94
80	5.43	181	90.5	3016.66	23.90	769.92
100	8.48	282	141.33	4700	37.33	1241.61
150	19.08	636	318	10600	84.00	2800.23
200	33.9	1131	565	18850	149.25	4979.65
250	53.0	1767	883.33	29450	233.35	7779.89
300	76.3	2544	1271.66	42400	335.93	11200.92
350	103.9	3463	1731.66	57716.66	457.45	15247.17
400	135.7	4524	2261.66	75400	597.47	19918.63
450	171.7	5726	2861.66	95433.33	755.97	25210.89
500	212.0	7069	3533.33	117861.66	933.41	31123.96
600	305	10179	5083.33	169650	1342.87	44816.92
700	415	13854	6916.66	230900	1827.19	60997.51
800	542	18095	9033.33	301583.33	2386.36	79670.13
900	687	22902	11450	381700	3024.77	100832.78
1000	848	28274	14133.33	471233.33	3723.64	124487.06

APPLICATIONS:



OUR CLIENTS

BAXY[®]

B | BRAUN
SHARING EXPERTISE

nbc[®]
flexible solutions

JSW

**Shree
Cement**

इंडियनऑयल
IndianOil

adani
Power

THE FERN
Residency

Mangalam
GROUP
BUILDING FUTURE

Dabur

**good
dot**

SIDDHA
Kolkata | Jaipur | Mumbai | Bengaluru

Mahindra WORLD CITY

CK BIRLA GROUP

CONTACT US

WEBSITE: VISIONWORLDTECH.COM

GST: 08AADC7696P2Z

OFFICE: +91 85050 00822 / 0141-2722370

EMAIL:ADMIN@VISIONWORLDTECH.COM

**HO: A-15 JAI AMBEY NAGAR,INFRONT OF
JAIPUR HOSPITAL TONK ROAD,JAIPUR
RAJASTHAN 302018**

